

Axial jet fans to induce air movement in enclosed car parking, tunnels and large spaces. Suitable for ventilation and one off emergency smoke operation at F400 or F300. TJHT series: reversible. TJHU series: unidirection.

### Description

Diameters from:  
TJHT series: 315 to 630mm, fully reversible.  
TJHU series: 315 to 400mm, unidirection.  
Impeller is cast aluminum alloy in accordance with EN 1706, and balanced in accordance with ISO 14694: G 6.3.  
Fan duct and 2 mounting feet are steel in accordance with EN 10130-99, and hot dip galvanized in accordance with EN 1461: 1999.  
Fan external electrical terminal box.  
Two circular sound attenuators in galvanized sheet steel, with flared inlet and acoustic media.  
Supplied with inlet and outlet steel guard. Impeller with 6 (TJHT) or 7 (TJHU) blades. Fan approved in accordance EN12101-3. For transportation, size up to 400 is supplied complete. Diameter from 450 to 630 can be supplied in 3 pieces.

### Motors

TJHT series: IEC, from 80 to 160, 3 phase 380-415V-50Hz, IP55, Class H, F400-120 and F300-120.  
TJHU series: IEC, from 80 to 90, 3 phase 380-415V-50Hz, IP55, Class H, F400-120 and F300-120. Class F at F200-120. Available in 60Hz  
Two speed 2/4 pole Dalhander winding. Ambient temperature: -20°C to +40°C. Working temperature from -20°C to +40°C.

### On request

Single speed 2 pole motor.  
Inlet guard and steel discharge deflector for unidirectional airflow.  
Inlet and outlet steel discharge deflector for reversible airflow.  
Factory fitted IP65 isolator in place of electrical terminal box. Isolator also available as an accessory for use with standard terminal box fan.  
External painting to RAL colour.

### Specific applications



Officially approved to EN12101-3.  
0370-CPD-0672  
0370-CPD-1481



Officially approved to EN12101-3.  
0370-CPD-0673  
0370-CPD-1422



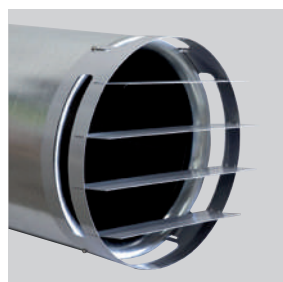
Car parks



Tunnels



Two protection guards fitted as standard.



Optional deflector on outlet for uni direction, or inlet and outlet for reversible.



External terminal box for ease of connection.



Optional isolator Electrical isolator fitted to fan for security or as an accessory.

### REFERENCE

<b>T</b>	<b>J</b>	<b>H</b>	<b>T</b>	/	<b>2/4</b>	-	<b>6</b>	<b>3</b>	<b>0</b>	<b>C/I</b>	<b>16/4</b>	<b>F400</b>	<b>400 V</b>	<b>50 Hz</b>
1					2		3			4	5	6	7	8

- 1 - Series: TJHT reversible, TJHU unidirection, for emergency smoke operation and ventilation.
- 2 - Motor speed (rpm).
- 3 - Nominal diameter.
- 4 - C = Terminal box (standard). I = Isolator (optional).
- 5 - Emergency operation designation.
- 6 - Temperature class.
- 7 - Nominal electrical supply.
- 8 - Frequency (Hz).

### TECHNICAL CHARACTERISTICS

Before installation check that the product electrical characteristics listed on the data plate label (voltage, power, frequency, etc.) match those of the intended electrical supply.

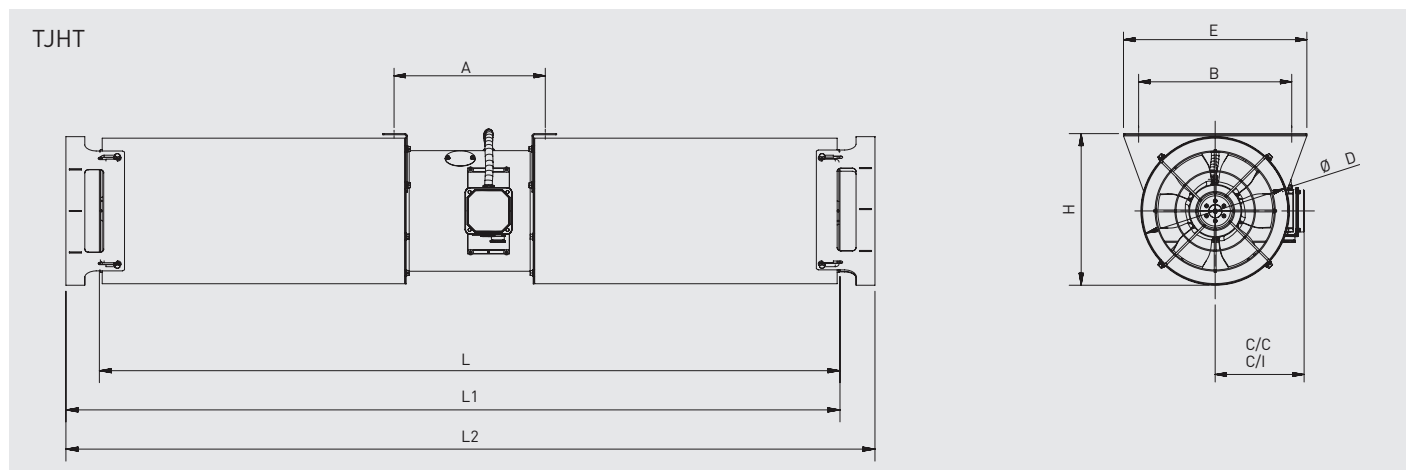
Model	Speed (rpm)	Thrust (N)	Airflow (m³/h)	Air velocity (m/s)	Motor power* (kW)	Maximum absorbed current (A)	Sound pressure level** (LpA)		Weight (kg)
							Form A***	Form B***	
<b>TJHT REVERSIBLE - 1 speed 2 POLE</b>									
TJHT/2-315-CN	2790	24	4.500	16	0,75	1,6	64	64	57
TJHT/2-355-CN	2810	40	6.500	18	1,1	2,3	67	66	76
TJHT/2-400-CN	2870	60	9.000	20	1,5	4,2	71	69	89
TJHT/2-450-C	2840	85	12.100	21	2,2	4,5	75	72	133
TJHT/2-500-C	2890	144	17.500	25	4	7,5	78	75	165
TJHT/2-560-C	2925	235	25.000	28	7,5	13,6	82	78	220
TJHT/2-630-C	2945	387	36.100	33	15	27	87	82	290
<b>TJHT REVERSIBLE - 2 speed 2/4 POLE</b>									
TJHT/2/4-315-CN	2820/1400	24	4.500	16	0,8/0,2	1,9/0,6	64/49	64/49	57
TJHT/2/4-355-CN	2810/1390	40	6.500	18	1,1/0,25	2,4/0,75	67/52	66/51	76
TJHT/2/4-400-CN	2900/1435	60	9.000	20	1,5/0,37	4,2/1,3	71/56	69/54	89
TJHT/2/4-450-C	2845/1420	85	12.100	21	2,2/0,5	4,6/1,5	75/60	72/57	134
TJHT/2/4-500-C	2890/1440	144	17.500	25	4,4/1,1	8,6/2,8	78/63	75/60	166
TJHT/2/4-560-C	2930/1470	235	25.000	28	8/2	15,3/4,8	82/67	78/63	223
TJHT/2/4-630-C	2950/1470	387	36.100	33	16/4	30,5/9,6	87/72	82/67	311
<b>TJHU UNIDIRECTIONAL - 1 speed 2 POLE</b>									
TJHU/2-315-BC	2790	25	4.600	16	0,75	1,6	-	62	56
TJHU/2-355-BC	2810	43	6.800	19	1,1	2,3	-	66	75
TJHU/2-400-BC	2870	68	9.700	21	1,5	3	-	70	88
<b>TJHU UNIDIRECTIONAL - 2 speed 2/4 POLE</b>									
TJHU/2/4-315-BC	2820/1400	25	4.600	16	0,8/0,2	1,9/0,6	-	62/46	56
TJHU/2/4-355-BC	2810/1390	43	6.800	19	1,1/0,25	2,4/0,75	-	66/49	75
TJHU/2/4-400-BC	2900/1435	68	9.700	21	1,5/0,37	3,5/1,3	-	70/55	88

\* May depend on motor used.

\*\* Sound pressure at 3m, hemispherical propagation, in free field conditions, for comparison.

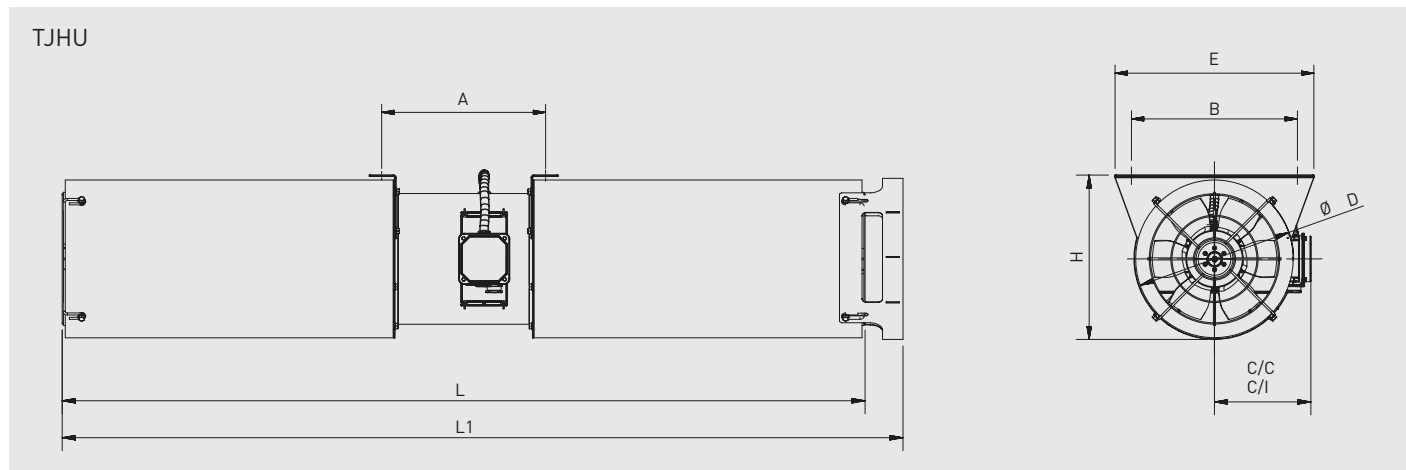
\*\*\* TJHT series: Form A air over motor > impeller, Form B air through impeller > motor. TJHU series: Form B only.

### DIMENSIONS (mm)



L: standard with guards, no deflector. L1: for unidirection with 1 deflector. L2: for reversible with 2 deflectors. C/C: version with terminal box (standard). C/I: version with isolator (optional).

Model	A	B	C/C	C/I	D	E	H	L	L1	L2
315	310	405	236	279	385	485	397	1754	1810	1967
355	310	445	259	302	425	525	437	1754	1810	1967
400	310	506	283	326	486	586	498	1754	1810	1967
450	539	556	313,5	362,5	536	636	548	2499	2055	2712
500	549	620	343,5	392,5	600	700	612	2499	2055	2712
560	669	680	376	425	660	760	672	3019	3072	3232
630	769	750	422	480	730	830	742	3119	3175	3332



L: standard with guards, no deflector. L1: for unidirection with 1 deflector. C/C: version with terminal box (standard). C/I: version with isolator (optional).

Model	A	B	C/C	C/I	D	E	H	L	L1
315	310	405	236	279	385	485	397	1754	1810
355	310	445	259	302	425	525	437	1754	1810
400	310	506	283	326	486	586	498	1754	1810

### ACOUSTIC CHARACTERISTICS

Sound power levels LwA ref. 1pW tested in accordance with ISO 13347:2004.

#### TJHT (2 pole)

Form A	63	125	250	500	1000	2000	4000	8000	LwA
315	58	67	77	78	71	68	64	56	81
355	61	70	81	80	75	73	70	47	85
400	64	73	85	82	80	78	75	67	88
450	68	76	89	84	84	83	80	73	92
500	71	79	93	86	88	87	84	78	96
560	74	82	97	89	92	92	89	83	100
630	77	85	101	91	96	97	94	88	104

#### TJHT (4 pole)

Form A	63	125	250	500	1000	2000	4000	8000	LwA
315	43	52	62	63	56	53	49	41	66
355	46	55	66	65	60	58	54	32	70
400	49	58	70	67	65	63	60	52	73
450	53	61	74	69	69	68	65	58	77
500	56	64	78	71	73	72	69	63	81
560	59	67	82	73	77	77	74	68	85
630	62	70	86	76	81	82	79	73	89

Form B	63	125	250	500	1000	2000	4000	8000	LwA
315	56	65	77	78	70	68	65	57	81
355	60	68	79	80	74	73	69	48	84
400	64	72	82	81	78	77	73	67	87
450	68	75	85	83	81	82	78	72	89
500	71	78	87	84	85	86	82	76	92
560	75	81	90	85	88	90	86	81	96
630	79	84	92	87	92	94	90	86	99

Form B	63	125	250	500	1000	2000	4000	8000	LwA
315	41	50	62	63	55	53	49	42	66
355	45	53	64	65	59	58	54	33	69
400	49	57	67	66	63	62	58	52	72
450	53	60	70	68	66	67	63	57	74
500	56	63	72	69	70	71	67	61	77
560	60	66	75	70	73	75	71	66	81
630	63	69	77	71	77	79	75	71	84

#### TJHU (2 pole)

Form B	63	125	250	500	1000	2000	4000	8000	LwA
315	61	63	71	72	75	72	66	61	79
355	64	66	75	75	78	76	70	64	83
400	67	71	76	77	82	81	76	70	86

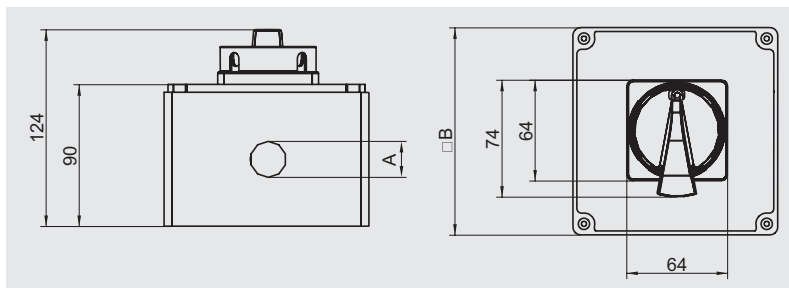
#### TJHU (4 pole)

Form B	63	125	250	500	1000	2000	4000	8000	LwA
315	40	56	54	58	56	50	45	38	63
355	44	59	58	60	61	54	49	42	66
400	46	63	62	69	62	60	55	46	72

### ACCESSORIES



**INT-25/6P-F400**  
**INT-40/6P-F400**  
 Isolator ON / OFF, approved at F400-120.  
 Aluminium covering.  
 Maximum ampere:  
 25A (model INT-25/6P-F400)  
 40A (model INT-40/6P-F400)  
 For use with motors 3 phase  
 380 - 420V.  
 Frequency: 50 - 60Hz.  
 IP65.



Model	A	B
INT-25/6P-F400	M25	130
INT-40/6P-F400	M32	160